

Brass Cut Wall Flange

Product URL <https://signaturethings.com/cut-wall-flange-for-1-12-inch-od-tubing>

Short Description: Sturdy Cut Wall Flange holds your bar rail tubing securely on any flat surface. The cut design allows mounting your railing to a narrow surface or flush against bar molding. Great for narrow spaces. Manufactured from shiny Polished Brass. Necessary mounting hardware incorporated for easy installation.

This brass cut wall flange is a simple way to attach your tubing to a nearby wall.

Features

Super stylish

Offers great functionality while being Strong and Durable

Mounting screws included

Attaches directly to wall, floor, or ceiling

Cut edge mounts to narrow surface or flush against molding

Tubing slides in easily and is held securely

Cut Wall Flange for 1-1/2 Inch OD Tubing

Cut Wall Flange for 2 Inch OD Tubing

Full Description: Tubing Diameter- (Inches)D - (Inches)W - (Inches)1-1/2"3"2"2"4"2-1/2" Material:- BrassStyle:- Cut FlangeMaterial Care:- Brass - Use Metal Polish (Item# 00202) and apply with a damp, soft cloth.Installation:-Mount plate to the horizontal surface or wall.Mount matching diameter tube inside the neck of the flange.Fix the tube to the neck using the supplied selfdrilling screw.Hardware Included4 x #10 x 11/2" Philips flat head screw.1 x #8 Philips pan-head self-drilling screw.Use together with:- 1.5" OD tube, matching flush fittings for 1.5" tube and matching finials. It can also be used with tubes and ball fittings. Flanges provide numerous mounting solutions for railing projects including wall mounting handrails, floor mounting footrails as well as angle, adjustable, socket, square, cut, and cubicle mounting for special architectural railing projects.This attractive solid brass wall flange is ideal for high use and durability in public areas. Fits 1in. tube/rail. Measurements are approximate.An elegant brass flange useful for mounting tube to walls or light duty floor surface mounts.We specialize in brass hardware products and coordinating components to beautify, organize, and safeguard the home environment.we have a wide variety of styles and finishes that are suitable for any décor. Features:Suitable for both floor

and wall-mounted applications Fittings are supplied with self-drilling, self-tapping hardware Browse our complete line of railing components Boasts a sophisticated brass finish Classic design at an affordable price Dimensions: Wall Flange for 1-1/2" OD Tubing

Products Details: Builders Hardware Product Type: Wall Flanges Material: Brass Finish: Polished Brass, Polished Chrome, Polished Nickel, Satin Brass, Black Painted, Satin Nickel, Aged Brass, Antique Brass, Oil Rubbed Bronze. Lacquered and Unlacquered Finishes. Package Quantity: 1 Installation Required: Yes

Price \$54.99

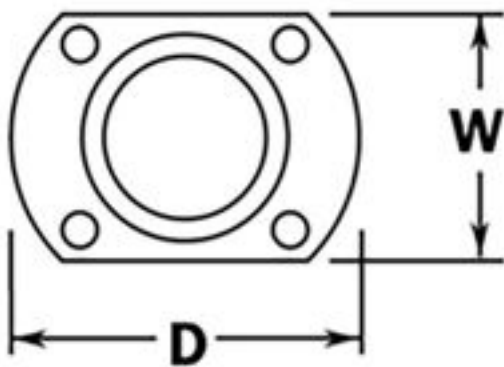
SKU: 9a8a9b7g



SignatureThings



SignatureThings



SignatureThings